

OPERATION, MAINTENANCE AND SAFETY INSTRUCTIONS

FOR OMEGA ALTISE HIGH VELOCITY WALL FAN



MODELS INCLUDE:


OHVW46CR

omega
altise


IMPORTANT SAFETY INSTRUCTIONS

IMPORTANT: Read the safety precautions of this booklet carefully before attempting to assemble, install, operate or maintain the product described. Protect yourself and others by observing all safety information. Failure to comply with instructions could result in personal injury and/or property damage. If you are unsure about anything regarding your fan or these instructions, please contact Omega Altise on 1300 795 572 in Australia or (09) 415 6000 in New Zealand before operating your appliance.

1. Read all instructions carefully before using the high velocity wall fan with remote control.
2. Use this fan only as described in this manual. Any other use not recommended by the manufacturer may cause fire, electrical shock, or injury to persons. Do not modify this appliance. Do not try to repair this appliance – there are no user serviceable parts within. The use of attachments which are not recommended or sold by the appliance manufacturer may cause a risk of injury to persons. Ensure that the fan is switched off from the supply mains before removing the guard.
3. Remove the packaging and ensure that the appliance is undamaged (keep packing box for later storage). In case of doubt do not use the appliance and contact Omega Altise Service. Do not let children play with any parts of the packaging.
4. This appliance is not intended for use by persons (including children) with reduced physical, sensory or mental capabilities, or lack of experience or knowledge, unless they have been given supervision or instruction concerning the use of the appliance by a person responsible for their safety. Children should be supervised to ensure that they do not play with the appliance. Extreme caution is necessary when the fan is used by or near children or individuals with decreased mental and physical capacity and whenever the fan is left operating unattended.
5. Before you use the appliance, check if the voltage marked on the rating label corresponds to the mains in your home. The appliance must be connected to a grounded power supply.
6. Do not use this appliance with a programmer, timer or any other device that switches the appliance on automatically, since a fire risk exists if the appliance is covered or positioned incorrectly.
7. Do not pull the power cord to disconnect with the power source. Always grasp the plug to pull it out.
8. Do not run power cords under rugs, curtains or other combustible materials. Do not place power cords in areas where they can be a tripping or choking hazard. Do not operate directly below a power outlet.
9. Do not insert any objects into the appliance as it may cause an electric shock or fire or damage to the appliance. Do not block or tamper with the appliance in any manner while it is in operation. To prevent a possible fire, do not cover the appliance in any manner. Take care that the fan is mounted to a wall strong enough to support the weight of the fan. When mounting to a wall, take care that electrical wires, gas pipes and water pipes are not positioned where they may be damaged by drilling or mounting screws.
10. Do not leave the appliance unattended. Always unplug the appliance when not in use. Take care that it is not obstructed when rotating, and is not in a position where anyone can accidentally hit their head on it.

WARNING:  The Function Switch should not be used as the sole means of disconnecting power. Always unplug the power cord before servicing or moving the appliance.

11. Keep materials such as hair, net curtains, tablecloths & clothes away from the openings of the fan, as material may be sucked into the appliance causing injury, damage to property or the appliance.
12. The appliance has hot and arcing or sparking parts inside. It must NOT be used in potentially dangerous locations such as flammable, explosive, chemical-laden, corrosive, salty or wet atmospheres. This appliance is intended for general indoor domestic use ONLY.
13. This appliance is not intended for use in wet or damp locations. Never locate it where it may fall into a bathtub or other water container.
14. Do not use the fan outdoors. Do not use close to windows or in direct sunlight.
15. NOTE that over time, the grills at the front and rear will build up dust & dirt. This should be cleaned regularly to maintain optimum efficiency. Follow the cleaning procedure within this instruction.

WARNING:  To avoid danger of electric shock, unplug from outlet when not in use and before cleaning. If the supply cord is damaged, it must be replaced by the manufacturer, its Service Agent or similarly qualified persons in order to avoid a hazard. In order to avoid overheating, do not cover the appliance. Do not use the appliance in the immediate surrounding of a bath, shower or swimming pool.

Note: You will need Philips screwdrivers to assemble this appliance. You may need an electric drill to mount the appliance to a wall.

TECHNICAL DETAILS

Model: OHVW46CR high velocity wall fan with remote control.

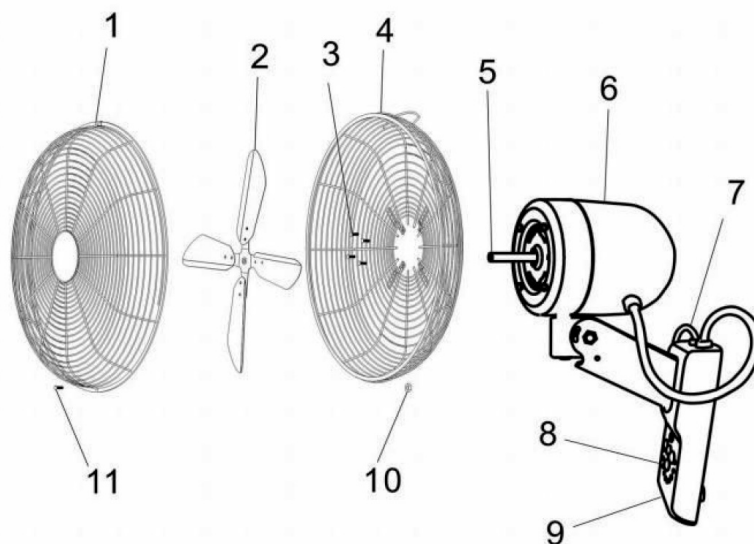
Power: 220-240V ~ 50Hz, 60W.

Weight: 4.2kg.

Dimensions (HxWxD): 56x50.5x33cm.

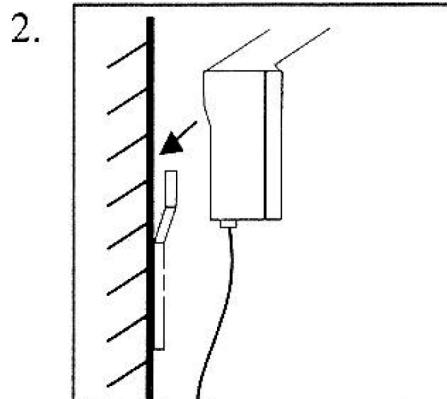
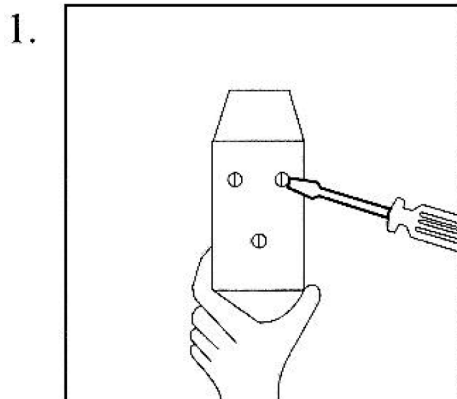
GENERAL FAN PARTS

PART	DESCRIPTION
1	Front Guard
2	Fan Blade
3	Rear Guard Screws
4	Rear Guard
5	Motor Impellor Shaft
6	Motor
7	Power Cord
8	Control Panel
9	Base
10	Guard Nut
11	Guard Screw



GETTING STARTED – ASSEMBLY AND WALL MOUNTING

- Carefully remove the appliance parts from the plastic bag and the carton, and unwind the cord to its full length.
 - Place the rear guard over the front of the motor (small screw hole to the bottom, handle to the top) and fix into place with the 4 rear guard screws.
 - Place the fan blade onto the motor impellor shaft, push until the blade screw is adjacent to the flat area on the shaft and tighten into place with the blade screw. Note: the screw must fix to the flattened area of the shaft.
 - Hang the front guard over the rear guard (small screw bracket to the bottom) and attach using the clips around the outer edge. Use a small screwdriver to attach the bottom of the 2 grills together using the small guard screw and guard nut.
 - Select a safe, appropriate location on a strong wall (taking note of distance to a power outlet). Mark the 3 mounting holes of the mounting bracket on the wall and fix to the wall (for brick or concrete walls use the anchoring bolts provided).
 - Place the base onto the mounting bracket and push down tightly to fix in place.
 - Plug the cord set into a 220-240V~A.C. 50Hz earthed electrical outlet. Turn the power on at the electrical outlet.
- Note: The power cord must not be able to drop onto the motor or grills.



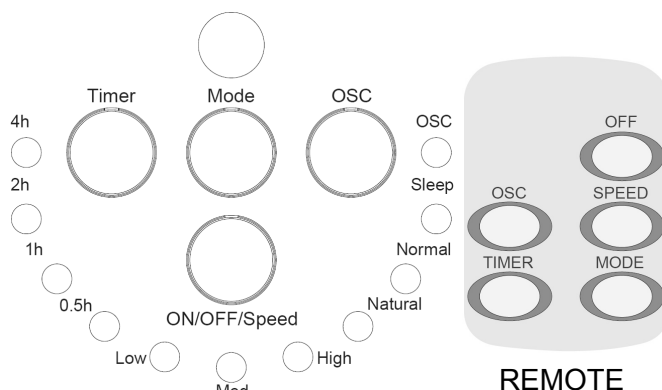
CONTROLS & OPERATION

CONTROL PANEL:

The control panel is at the fan base. Four buttons are used to control the appliance functions, with indicators around the outside. These buttons are repeated on the remote control (except there is a separate off button on the remote control). The remote control uses 2 AAA batteries (not included).

ON/OFF/SPEED:

Pressing this button once starts the fan running at low. Pressing the button will cycle the speed through Low/Medium/High and then Off (using the remote control will cycle through Low/Medium/High, with Off being a separate button). Three indicators at the bottom of the control panel show which speed has been selected (if the appliance is turned off, all 3 indicators are off).



MODE:

The appliance has 3 fan modes. Pressing the Mode button cycles the fan through the Normal/Natural/Sleep modes. Three indicators at the right hand side of the control panel show which mode has been selected.

Normal: The speed stays constant.

Natural: The speed varies like natural wind.

Sleep: Similar to the Natural mode, but the speed averages slower speeds as time progresses.

OSCILLATION:

The fan oscillation is turned on and off by pressing the OSC button. When selected, the top indicator at the right hand side is on.

TIMER:

A timer can be set to turn off the fan after a period of time (in half hour increments). By default, the timer is off. Press the timer button will increase the timer by half an hour (up to 7.5 hours). After 7.5 hours has been set, pressing one more time will reset the timer to 0. There are four indicators on the left hand side of the control panel. To determine the timer set time, add the different values up (ie if the 4h and 0.5h indicators are lit, the timer has been set to 4.5 hours). As time progresses, the indicators will adjust. When the timer expires, the appliance will turn off. The timer can be adjusted at any time by pressing the Timer button.

CLEANING & MAINTENANCE

WARNING:



ALWAYS UNPLUG THE CORD BEFORE MOVING OR SERVICING, DO NOT IMMERSE APPLIANCE IN WATER!

The fan should be cleaned periodically (at least once a month depending on the build-up of dust).

Clean the body of the fan with a soft damp cloth. Always make sure that the appliance is completely dry before connecting back to the mains supply. Remove the front grill, clean the fan blades with a soft damp cloth and replace the front grill.

CAUTION: Do not use gasoline, benzene, thinner, harsh cleaners, etc. as they will damage the fan. NEVER use ALCOHOL OR SOLVENTS.

Do not disassemble the fan in any manner.

STORAGE: Store the fan with these instructions in the original packaging, in a cool, dry place.

It is important that you retain these instructions, proof of purchase as well as other important documents about this product for future reference. Due to continual product development,

Omega Altise reserves the right to alter specifications or appearances without notice.

Dispose of packaging responsibly – recycle where facilities are available.